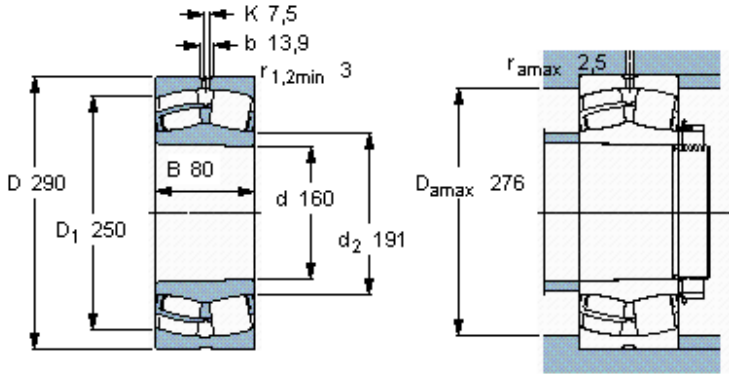


Spherical roller bearings, cylindrical and tapered bore

Principal dimensions			Basic load ratings		Speed ratings		Designation
d	D	B	dynamic C	static C0	Reference speed	Limiting speed	
mm			kN		r/min		
160	290	80	1043	1290	2000	2800	* SKF Explorer bearing 22232 CCK/W33 *



Tapered bore, taper
1: 12

- Calculation factors**
- e 0,26
 - Y₁ 2,6
 - Y₂ 3,9
 - Y₀ 2,5